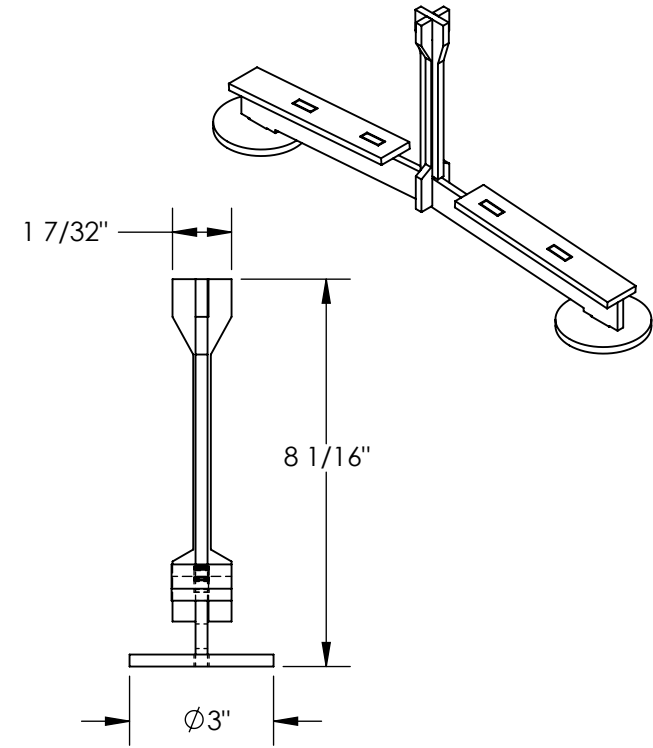
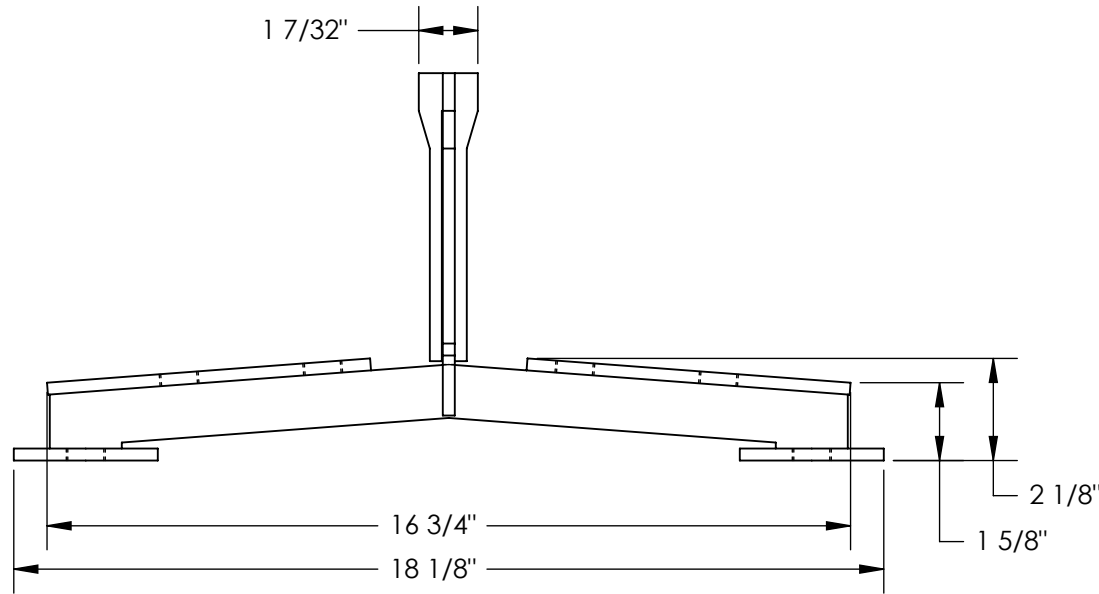


BARRICADE BASE WITH FEET - VDKR-BB-F

APPROX WEIGHT: 4.04 lbs.
DOES NOT INCLUDE WEIGHT OF POWER OR PACKAGING!!!

*** ANY ADDITIONS, DELETIONS, OR OMISSIONS MUST BE CORRECTED ON THIS DRAWING AS THIS DRAWING WILL BE CONSIDERED ALL INCLUSIVE ***

ALL GRAPHICS PROVIDED ARE FOR REFERENCE ONLY. IF CERTAIN DIMENSIONS ARE CRITICAL PLEASE VERIFY THOSE DIMENSIONS WITH YOUR SALESPERSON



STANDARD FEATURES

MODEL NUMBER IS VDKR-BB-F
OVERALL WIDTH IS 3"
OVERALL LENGTH IS 18 1/8"
OVERALL HEIGHT IS 8 1/16"
RAILING OPTIONS WORK WITH BOTH
STEEL AND ALUMINUM RAILING

SPECIAL FEATURES

NONE

ALL SPECIAL UNITS
ARE NON-RETURNABLE

A P P R O V A L	I, THE UNDERSIGNED, AGREE THAT THE PRODUCT AS REPRESENTED SATISFIES DESIGN AND DIMENSION REQUIREMENTS. I ALSO ACKNOWLEDGE MY DUTY TO CONFIRM PRODUCT AND INSTALLATION COMPLIANCE WITH ALL APPLICABLE FEDERAL, STATE AND LOCAL REGULATIONS AND STANDARDS.	
	ALL SPECIAL UNITS ARE NON-RETURNABLE [] As drawn [] As marked	
Signed: _____		Date: _____
LEAD TIME WILL START UPON RECEIPT OF SIGNED APPROVAL DRAWING		

DISTRIBUTOR'S NAME:		P.O.#
VESTIL MANUFACTURING		X
DRAWN BY: CRM		DATE: 07/21/2010
REFERENCE: X		SCALE: 1:4
QUOTED LEAD TIME: X		QUOTE # X
		SALES: X
		FILE NAME: 23-007-384